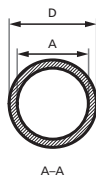
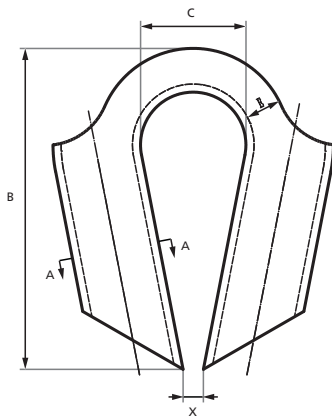
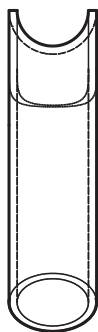
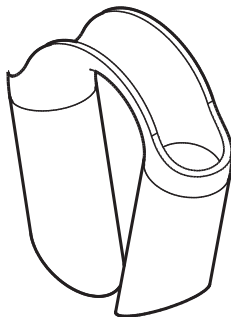




THIMBLES

## TUBE THIMBLE



Marking	A	B	C	D	E	X	Weight
mm	mm	mm	mm	mm	mm	mm	kgs
48	65	312	88	79	31	22	6,7
56	75	350	94	90	32	22	
64	88	450	130	108	45	25	17,8
72	94	500	150	114	50	25	

Note: The measurements in tables may vary between different models. Sotra Anchor & Chain AS can not be hold responsible for any deviate between tables and delivered equipment.