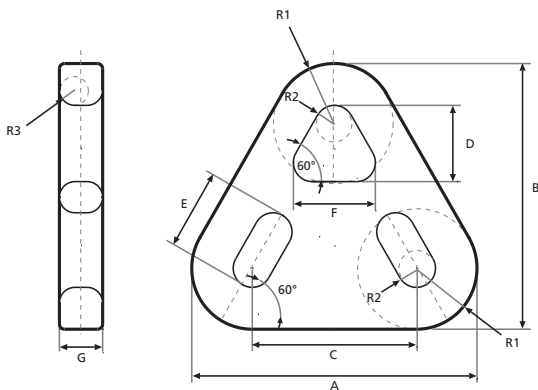




# TRIPLATE

BERMUDA



WLL	BL	A	B	C	D	E	F	G	R1	R2	R3	Weight
Tonnes	Tonnes	mm	mm	mm	mm	mm	mm	mm	mm	mm	mm	Kgs
9,5	57	250	230	148	70	75	75	36	51	19	14	12,5
12	72	287	264	175	80	85	87	42	56	20	16	16,5
17	102	355	326	215	95	105	102	50	70	25	20	33,5
35	210	507	469	287	130	143	140	70	110	34	25	83,5
55	330	600	553	350	167	167	180	90	125	40	32	123
85	510	690	639	399	185	195	199	115	145	46	40	191
120	720	825	762	475	219	230	237	125	175	55	45	357
200	1200	1089	1006	627	270	300	289	165	231	73	59	830

Note: The measurements in tables may vary between different models. Sotra Anchor & Chain AS can not be hold responsible for any deviate between tables and delivered equipment.