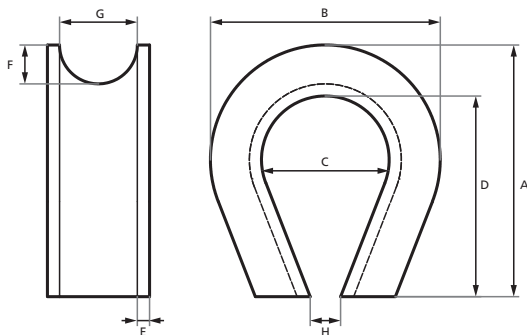
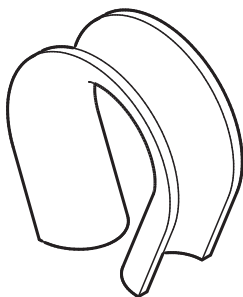




ACCESSORIES

THIMBLE

TYPE K3



Marking	A	B	C	D	E	F	G	H	Weight
mm / inch	mm	mm	mm	mm	mm	mm	mm	mm	kgs
40 / 5	127	110	65	100	6	20	40	22	0,97
48 / 6	152	120	75	130	7	24	48	22	1,55
56 / 7	178	140	85	142	8	28	56	22	2,40
64 / 8	203	170	105	165	10	32	64	25	4,00
72 / 9	229	190	110	180	12	36	72	25	6,00
80 / 11	279	230	145	225	12	44	88	25	9,05

Note: The measurements in tables may vary between different models. Sotra Anchor & Chain AS can not be hold responsible for any deviate between tables and delivered equipment.