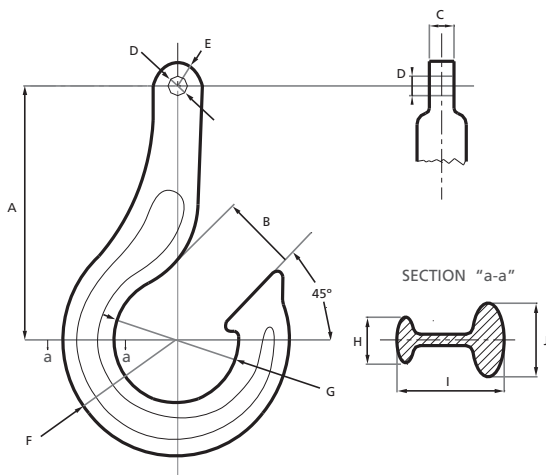




CHASER

J-TYPE CHASER



SWL	A	B	C	D	E	F	G	H	I	J
ton	mm	mm	mm	mm	mm	mm	mm	mm	mm	mm
110	1702	546	121	Ø99	R146	R762	Ø845	178	430	305
130	1702	546	121	Ø99	R146	R762	Ø845	178	430	305
150	1828	584	130	Ø102	R146	R822	Ø914	178	460	330
250	1575	546	175	Ø132	R175	R762	Ø845	203	430	330

Note: The measurements in tables may vary between different models. Sotra Anchor & Chain AS can not be hold responsible for any deviate between tables and delivered equipment.