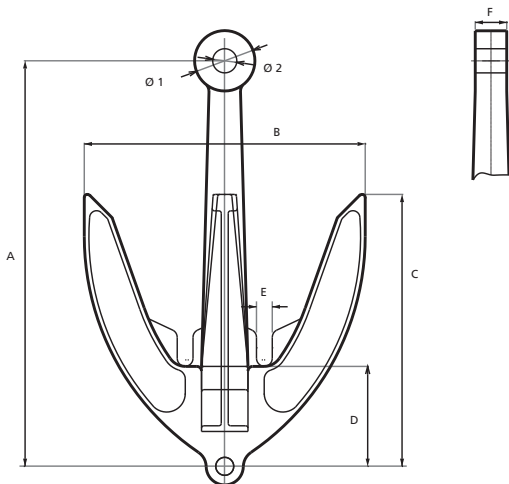




CHASER

GRAPNEL

4 PRONG GRAPNEL



SWL	A	B	C	D	E	F	Ø1	Ø2	Proof Load
Tonnes	mm	mm	mm	mm	mm	mm	mm	mm	tonnes
130	2153	1537	1422	483	102	124	203	99	250
150	2153	1537	1422	483	102	130	230	102	250
250	2153	1537	1430	483	107	172	330	132	350

Note: The measurements in tables may vary between different models. Sotra Anchor & Chain AS can not be hold responsible for any deviate between tables and delivered equipment.