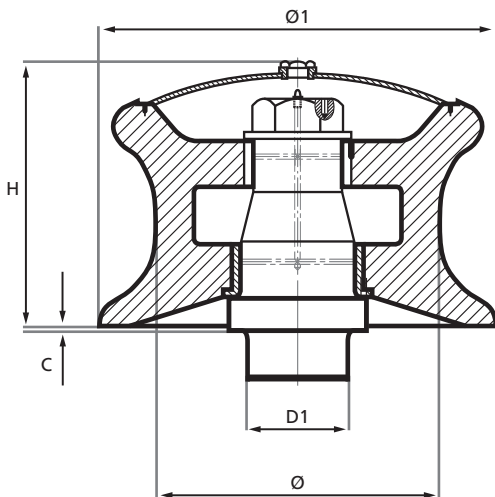




# GUIDE ROLLER

JIS F-2014



Nom. size	Ø	Ø1	H	C	D1	SWL	Weight
Dn	mm	mm	mm	mm	mm	(t)	(kg)
150	150	240	195	3	60	8	32,1
200	200	310	235	3	80	15	64,6
250	250	380	282	4	90	28	108
300	300	440	305	4	110	46	159
350	350	500	330	4	125	58	235
400	400	560	355	5	140	64	336
450	450	620	378	5	155	90	413

Note: The measurements in tables may vary between different models. Sotra Anchor & Chain AS can not be hold responsible for any deviate between tables and delivered equipment.