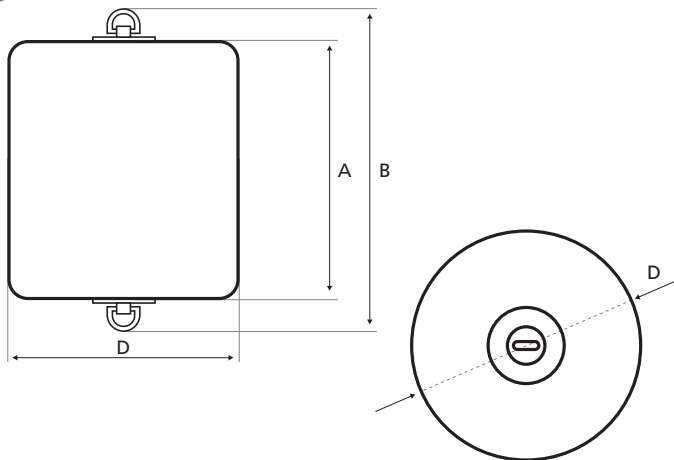




BUOY

CYLINDRICAL BUOYS

CHAIN SUPPORT



Type	Buoyancy	A	B	D	Weight in Air
	Kgs	mm	mm	mm	Kgs
YT-CB1000	1000	1550	2200	1080	375
YT-CB1250	1250	1550	2200	1160	380
YT-CB1500	1500	2000	2666	1130	445
YT-CB1700	1700	2000	2660	1180	455
YT-CB1750	1750	2000	2666	1190	460
YT-CB1850	1850	2000	2666	1230	470
YT-CB2000	2000	2000	2666	1290	485
YT-CB2250	2250	2000	2666	1340	500
YT-CB2500	2500	2000	2666	1400	515
YT-CB2800	2900	2000	2666	1510	595
YT-CB3000	3000	2000	2666	1520	550
YT-CB3200	3200	2000	2666	1560	560
YT-CB3500	3500	2000	2666	1630	580
YT-CB3900	3900	2000	2666	1705	605

Note: The measurements in tables may vary between different models. Sotra Anchor & Chain AS can not be hold responsible for any deviate between tables and delivered equipment.