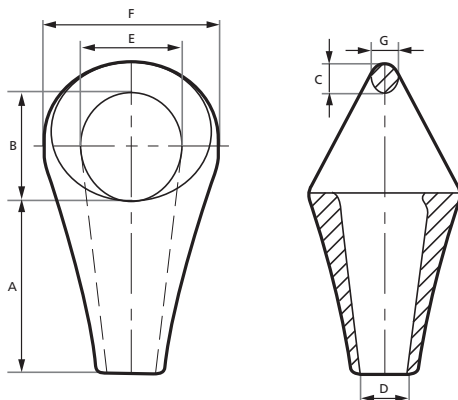




CR-SOCKET



Type no.	Wire dia.	Wire dia.	SWL	MBL	A	B	C	D	E	F	G	Weight
	mm	Inch	tons	tons	mm	mm	mm	mm	mm	mm	mm	Kgs
512	31-36	1 1/4-1 3/8	28	140	140	85	38	39	75	124	35	6.5
517	38-42	1 1/2-1 3/8	32	160	160	110	42	44	92	130	38	10
519	43-48	1 3/4-1 7/8	40	200	188	128	50	51	110	180	45	17
522	49-54	2-2 1/8	50	250	215	125	55	57	115	200	50	23
524	55-60	2 1/4-2 3/8	60	300	230	145	65	63	135	230	57	33
526	61-68	2 1/2-2 5/8	80	400	250	160	75	73	160	265	65	50
527	67-75	2 3/4-2 7/8	100	500	280	175	80	79	170	278	70	59
528	76-80	3-3 1/8	120	600	315	210	85	86	184	300	75	74
529	81-86	3 1/4-3 3/8	140	700	340	205	100	92	204	320	90	879
530	87-93	3 1/2-3 5/8	160	800	360	220	105	99	215	340	959	104
531	94-102	3 3/4-4	180	900	380	240	110	108	234	376	100	134
533	108-115	4 1/4-4 1/2	200	1000	450	260	125	120	252	400	110	180

Note: The measurements in tables may vary between different models. Sotra Anchor & Chain AS can not be hold responsible for any deviate between tables and delivered equipment.