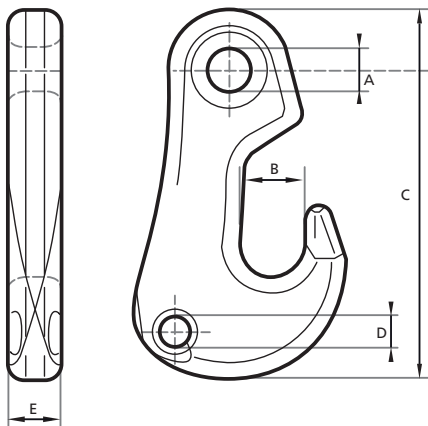




CHASER

ANCHOR LINE HOOK



Type	SWL	A	B	C	D	E	Proof Load	MBL
	Tonnes	mm	mm	mm	mm	mm	Tonnes	Tonnes
SMP015	15	38	72	337	32	55	30	60
SMP020	20	40	74	343	32	60	40	80
SMP025	25	52	86	440	38	65	50	100
SMP030	30	62	95	480	40	70	60	120
SMP050	50	80	112	618	45	90	100	200
SMP080	80	90	130	709	62	100	160	320

Note: The measurements in tables may vary between different models. Sotra Anchor & Chain AS can not be hold responsible for any deviate between tables and delivered equipment.