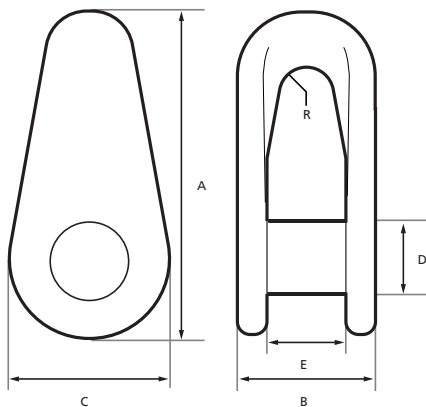




SHACKLE

T-MOORING LINK

GALVANIZED



Type	A	B	C	D	E	R	SWL
	mm	mm	mm	mm	mm	mm	ton
90T	285	115	136	65	75	22	30
120T	324	142	150	75	90	28	40
180T	350	184	160	85	120	30	60

Note: The measurements in tables may vary between different models. Sotra Anchor & Chain AS can not be hold responsible for any deviate between tables and delivered equipment.