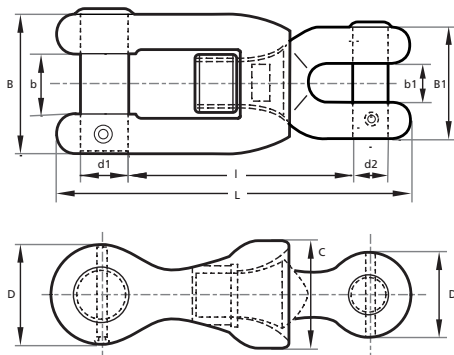




SWIVEL

# SWIVEL SHACKLE

TYPE B



Chain dia.	L	l	B	b	B1	b1	D	D1	d1	d2	C	Weight
mm	mm	mm	mm	mm	mm	mm	mm	mm	mm	mm	mm	Kgs
22	204	189	110	48	88	31	77	66	37	29	84	<b>7.6</b>
24	321	206	120	53	96	34	84	75	41	31	91	<b>9.9</b>
26	347	224	130	57	104	36	91	78	44	34	99	<b>12.5</b>
28	374	241	140	62	112	39	98	84	48	37	106	<b>15.7</b>
30	401	258	150	66	120	42	105	90	51	39	114	<b>19.4</b>
32	427	275	160	70	128	45	112	96	54	42	122	<b>23.4</b>
34	454	292	170	75	136	48	119	102	58	44	129	<b>28</b>
36	481	310	180	79	144	50	126	108	61	47	137	<b>33.4</b>
38	508	327	190	84	152	53	133	114	65	49	144	<b>39.4</b>
40	534	344	200	88	160	56	140	120	68	52	152	<b>46</b>
42	561	361	210	92	168	59	147	126	71	55	160	<b>53</b>
44	588	378	220	97	176	62	154	132	75	57	167	<b>61</b>
46	615	396	230	101	184	64	161	138	78	60	175	<b>70</b>
48	641	413	240	106	192	67	168	144	82	62	182	<b>79</b>
50	668	430	250	110	200	70	175	150	85	65	190	<b>89</b>
52	695	447	260	114	208	73	182	156	88	68	198	<b>101</b>
54	721	464	270	119	216	76	189	162	92	70	205	<b>113</b>
56	748	482	280	123	224	78	196	168	95	73	213	<b>126</b>
58	775	499	290	128	232	81	203	174	99	75	220	<b>140</b>
60	802	516	300	132	240	84	210	180	102	78	228	<b>155</b>
62	828	533	310	136	248	87	217	186	105	81	236	<b>171</b>

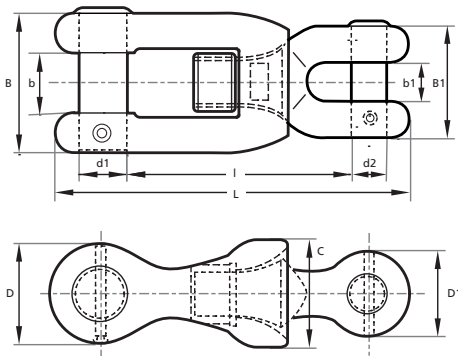
Note: The measurements in tables may vary between different models. Sotra Anchor & Chain AS can not be hold responsible for any deviate between tables and delivered equipment.



SWIVEL

# SWIVEL SHACKLE

TYPE B



Chain dia.	L	l	B	b	B1	b1	D	D1	d1	d2	C	Weight
mm	mm	mm	mm	mm	mm	mm	mm	mm	mm	mm	mm	Kgs
64	855	550	320	141	256	90	224	192	109	83	243	<b>188</b>
66	882	568	330	145	264	92	231	198	112	86	251	<b>206</b>
68	908	585	340	150	272	95	238	204	116	88	258	<b>225</b>
70	935	602	350	154	280	98	245	210	119	91	266	<b>246</b>
73	975	628	365	161	293	102	255	219	123	95	277	<b>278</b>
76	1015	654	380	167	304	106	266	228	130	99	289	<b>314</b>
78	1042	671	390	172	312	109	273	234	133	101	296	<b>340</b>
81	1082	697	405	178	324	113	286	243	105	105	308	<b>380</b>
84	1122	722	420	185	336	118	294	252	109	109	319	<b>424</b>
87	1162	748	435	191	348	122	305	261	113	113	331	<b>472</b>
90	1202	774	450	198	360	126	315	270	117	117	342	<b>522</b>
92	1229	791	460	202	368	129	322	276	120	120	350	<b>558</b>
95	1269	817	475	209	380	133	333	285	124	124	361	<b>614</b>
97	1296	834	485	213	388	136	340	291	126	126	369	<b>654</b>
100	1336	860	500	220	400	140	350	300	130	130	380	<b>717</b>
102	1363	877	510	224	408	143	357	306	133	133	388	<b>761</b>
105	1403	903	525	231	420	147	368	315	137	137	399	<b>830</b>
107	1430	920	535	235	428	150	375	321	139	139	407	<b>879</b>
111	1483	955	555	244	444	155	389	333	144	144	422	<b>980</b>
114	1523	980	570	251	456	160	399	342	148	148	433	<b>1062</b>
<b>117</b>	<b>1563</b>	<b>1006</b>	<b>585</b>	<b>257</b>	<b>468</b>	<b>164</b>	<b>410</b>	<b>351</b>	<b>152</b>	<b>152</b>	<b>445</b>	<b>1147</b>

Note: The measurements in tables may vary between different models. Sotra Anchor & Chain AS can not be hold responsible for any deviate between tables and delivered equipment.