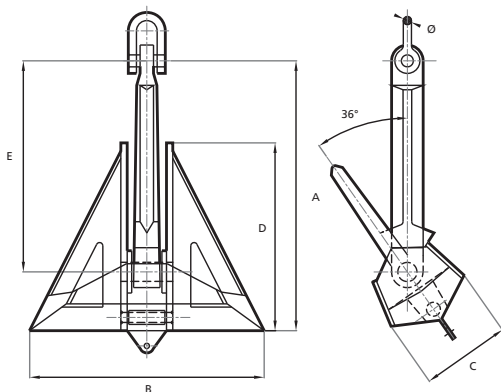




OFFSHORE ANCHOR

SUPERIOR DELTA



Weight	A	B	C	D	E	Ø
Kgs	mm	mm	mm	mm	mm	mm
1000	2107	1780	680	1424	1600	67
2000	2714	2381	895	1884	2122	74
2500	2921	2541	963	2027	2283	82
3000	3020	2560	983	2047	2300	86
4000	3418	2973	1127	2372	2672	95
5000	3737	3200	1213	2554	2917	100
7000	4118	3582	1358	2858	3219	110
8000	4308	3747	1421	2989	3367	125
9000	4481	3897	1478	3109	3503	-
10000	4641	4036	1530	3220	3628	-
12000	5320	4495	1689	3596	4040	137
13000	5058	4399	1668	3510	3954	-
15000	5750	4845	1840	3875	4355	160
18000	6080	5140	1900	4080	4610	-
20000	6310	5140	2010	4260	4790	-
25000	6795	5740	2065	4590	5106	195
30000	7208	6090	2277	4858	5463	-
40000	7850	6650	2480	5290	5945	-

Note: The measurements in tables may vary between different models. Sotra Anchor & Chain AS can not be hold responsible for any deviate between tables and delivered equipment.