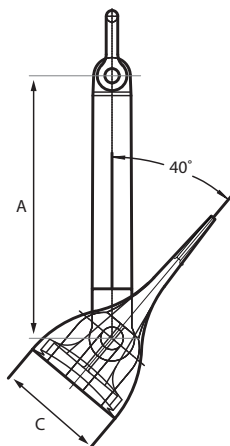
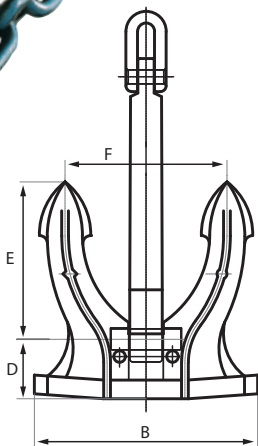




STOCKLESS ANCHOR

SPEK M



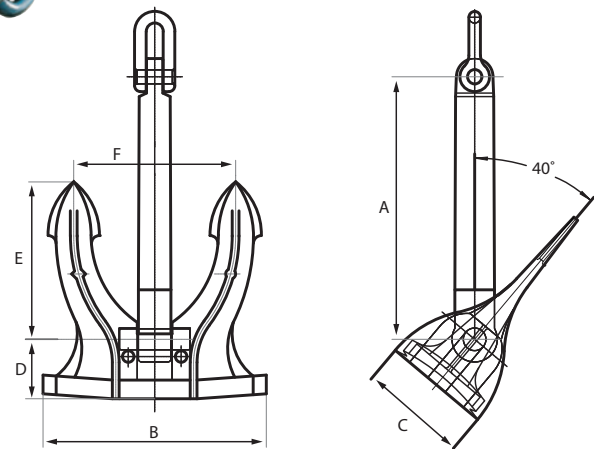
Weight	A	B	C	D	E	F
Kgs	mm	mm	mm	mm	mm	mm
2460	1866	1430	688	355	1027	1038
2640	1959	1500	712	347	1079	1090
2850	1959	1500	722	370	1079	1090
3060	2058	1578	748	365	1133	1144
3300	2058	1578	760	387	1133	1144
3540	2159	1656	785	383	1189	1202
3780	2159	1656	797	405	1189	1202
4050	2258	1732	821	400	1244	1257
4320	2258	1732	831	422	1244	1257
4590	2258	1732	841	444	1244	1257
4890	2405	1846	874	426	1325	1338
5250	2405	1846	888	450	1325	1338
5610	2577	1974	936	431	1418	1432
6000	2577	1974	936	457	1418	1432
6450	2577	1974	950	483	1418	1432
6900	2757	2112	1001	462	1518	1533
7350	2757	2112	1001	488	1518	1533
7800	2757	2112	1015	514	1518	1533
8300	2916	2234	1059	489	1605	1621
8700	2916	2234	1059	517	1605	1621
9300	2916	2234	1074	545	1605	1621
9900	3105	2380	1128	520	1709	1726

Note: The measurements in tables may vary between different models. Sotra Anchor & Chain AS can not be hold responsible for any deviate between tables and delivered equipment.



STOCKLESS ANCHOR

SPEK M



Weight	A	B	C	D	E	F
Kgs	mm	mm	mm	mm	mm	mm
10500	3105	2380	1128	570	1709	1726
11100	3105	2380	1138	580	1709	1726
11700	3273	2507	1188	554	1801	1819
12300	3273	2507	1188	580	1801	1819
12900	3273	2507	1200	607	1801	1819
13500	3425	2624	1243	577	1885	1904
14100	3425	2624	1243	607	1885	1904
14700	3425	2624	1243	650	1885	1904
15400	3425	2624	1263	657	1885	1904
16100	3632	2782	1318	612	1998	2018
16900	3632	2782	1318	638	1998	2018
17800	3632	2782	1318	683	1998	2018
18800	3632	2782	1343	699	1998	2018
20000	3905	2990	1416	652	2148	2170

Note: The measurements in tables may vary between different models. Sotra Anchor & Chain AS can not be hold responsible for any deviate between tables and delivered equipment.