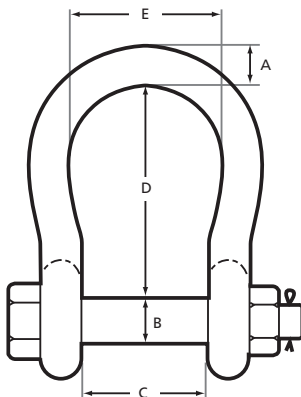




SHACKLE

SOTRA MOORING SHACKLE



MBL	A	B	C	D	E	Weight
Tonnes	mm	mm	mm	mm	mm	Kgs
28	19	22	44	100	58	1,4
40	22	25	52	125	68	2,2
60	28	28	62	150	89	3,4
90	32	32	78	170	98	6,4
110	42	45	112	200	150	12,1
150	50	50	126	248	140	18

Note: The measurements in tables may vary between different models. Sotra Anchor & Chain AS can not be hold responsible for any deviate between tables and delivered equipment.