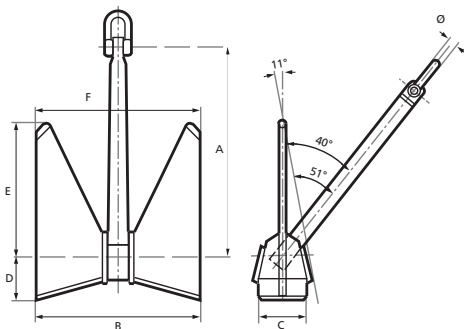




SUPER HIGH HOLDING POWER ANCHOR

SHHP PULL TW

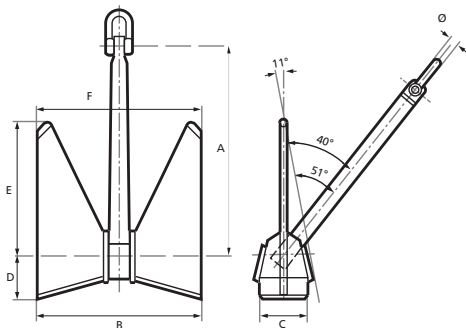


Weight	A	B	C	D	E	F	Ø
Kgs	mm	mm	mm	mm	mm	mm	mm
17	381	354	134	135	229	351	77
25	434	403	152	154	260	399	87
33	476	442	167	168	286	437	95
37	494	459	174	175	297	454	99
50	546	508	192	193	328	502	109
62	587	546	206	208	352	540	117
79	637	591	223	225	382	585	127
97	682	633	239	241	409	627	137
114	719	668	252	255	432	661	144
138	767	712	269	271	460	705	153
149	786	731	276	278	472	723	157
167	817	759	287	289	490	751	164
184	844	784	296	299	506	776	169
202	870	809	306	308	522	800	174
219	894	831	314	317	537	822	179
237	918	853	322	325	551	844	183
255	941	874	330	333	565	865	189
272	961	893	337	340	577	884	192
294	986	917	346	349	592	907	198
320	1015	943	356	359	609	933	203

Note: The measurements in tables may vary between different models. Sotra Anchor & Chain AS can not be hold responsible for any deviate between tables and delivered equipment.



SUPER HIGH HOLDING POWER ANCHOR SHHP PULL TW



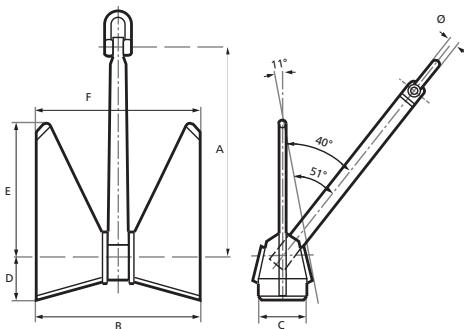
Weight	A	B	C	D	E	F	Ø
Kgs	mm	mm	mm	mm	mm	mm	mm
347	1042	969	366	369	626	958	209
373	1068	992	375	378	641	982	215
404	1097	1019	385	388	658	1008	220
439	1127	1048	396	399	677	1037	226
474	1157	1075	406	409	694	1063	231
509	1184	1101	416	419	711	1089	237
544	1211	1125	425	429	727	1113	243
579	1236	1149	434	438	742	1137	247
617	1263	1173	443	447	758	1161	254
649	1284	1193	451	455	771	1181	257
685	1308	1215	459	463	785	1202	261
724	1332	1238	468	472	799	1225	267
768	1358	1262	477	481	815	1249	272
817	1387	1289	487	491	832	1275	278
856	1408	1309	494	499	845	1295	282
960	1463	1360	514	518	878	1345	293
1050	1508	1401	529	534	905	1386	302
1140	1550	1440	544	549	930	1425	311
1230	1589	1477	558	563	954	1461	319
1320	1627	1512	571	576	977	1496	326

Note: The measurements in tables may vary between different models. Sotra Anchor & Chain AS can not be hold responsible for any deviate between tables and delivered equipment.



SUPER HIGH HOLDING POWER ANCHOR

SHHP PULL TW



Weight	A	B	C	D	E	F	Ø
Kgs	mm	mm	mm	mm	mm	mm	mm
1425	1669	1551	586	591	1002	1535	334
1500	1698	1578	596	601	1019	1561	339
1530	1709	1588	600	605	1026	1572	342
1650	1753	1629	615	621	1052	1612	351
1770	1794	1667	630	635	1077	1650	359
1890	1834	1704	644	649	1101	1686	368
2025	1877	1744	659	664	1126	1725	376
2160	1918	1782	673	679	1151	1763	384
2295	1957	1818	687	693	1174	1799	391

Note: The measurements in tables may vary between different models. Sotra Anchor & Chain AS can not be hold responsible for any deviate between tables and delivered equipment.