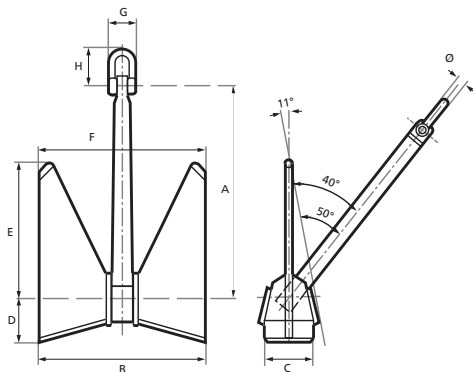




HIGH HOLDING POWER ANCHOR

PULL TW



Weight	A	B	C	D	E	F	G	H	Ø
Kgs	mm	mm	mm	mm	mm	mm	mm	mm	mm
60	650	539	203	140	420	650	90	120	22
75	700	581	215	151	452	700	90	120	22
90	712	594	224	160	458	712	90	120	22
105	771	637	239	169	501	771	105	142	28
135	815	674	255	178	528	815	105	142	28
160	895	747	286	194	581	895	115	157	32
180	937	780	297	201	610	937	115	157	32
225	982	821	312	224	641	982	125	174	36
270	1080	895	335	230	700	1080	125	174	36
315	1080	898	336	235	701	1080	125	174	36
360	1175	980	370	258	766	1175	140	201	40
430	1260	1040	393	274	818	1260	140	201	40
495	1295	1078	402	283	842	1295	140	201	40
585	1388	1149	436	302	899	1388	175	236	50
675	1456	1205	454	315	943	1456	175	236	50
765	1518	1256	470	328	984	1518	175	236	50
855	1575	1306	496	340	1020	1575	225	306	60
970	1642	1360	513	351	1064	1642	225	306	60
1080	1703	1410	530	368	1103	1703	225	306	60
1195	1730	1435	537	377	1123	1730	225	306	60

Note: The measurements in tables may vary between different models. Sotra Anchor & Chain AS can not be hold responsible for any deviate between tables and delivered equipment.

SOTRA ANCHOR & CHAIN AS
 Gamle Vindenesvegen 11
 5363 Ågotnes, Norway

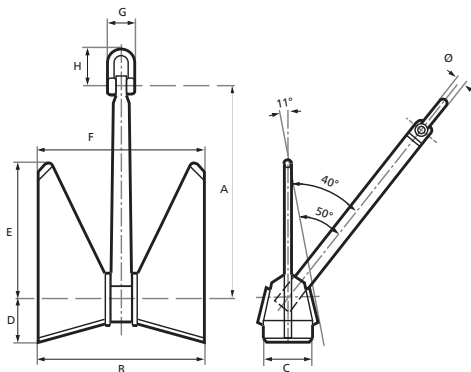
Tel.: (+47) 56 32 68 50
 E-mail: sales@sotra.net
 Web: www.sotra.net





HIGH HOLDING POWER ANCHOR

PULL TW



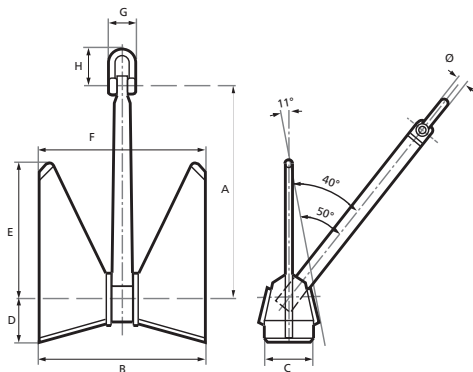
Weight	A	B	C	D	E	F	G	H	Ø
Kgs	mm	mm	mm	mm	mm	mm	mm	mm	mm
1305	1814	1490	558	390	1175	1490	225	306	60
1440	1875	1554	585	402	1218	1554	225	306	60
1575	1931	1594	600	418	1250	1594	255	361	75
1710	1985	1635	614	429	1285	1635	255	361	75
1845	2035	1684	638	443	1315	1684	255	361	75
1980	2088	1733	652	451	1359	1733	255	361	75
2140	2138	1765	664	463	1385	1765	255	361	75
2295	2190	1802	678	473	1418	1802	255	361	75
2475	2240	1860	705	487	1453	1860	290	400	80
2655	2298	1900	716	497	1486	1900	290	400	80
2835	2350	1945	730	510	1521	1945	290	400	80
3040	2404	1984	744	520	1558	1984	290	400	80
3240	2456	2036	768	531	1590	2036	290	400	80
3445	2507	2070	782	540	1628	2070	290	400	80
3670	2560	2110	795	556	1658	2110	360	500	90
3940	2621	2152	802	563	1697	2152	360	500	90
4210	2680	2218	838	585	1735	2218	360	500	90
4500	2740	2264	854	596	1775	2264	360	500	90
4840	2800	2316	868	610	1812	2316	400	550	100
5175	2829	2334	876	615	1832	2334	400	550	100

Note: The measurements in tables may vary between different models. Sotra Anchor & Chain AS can not be hold responsible for any deviate between tables and delivered equipment.



HIGH HOLDING POWER ANCHOR

PULL TW



Weight	A	B	C	D	E	F	G	H	Ø
Kgs	mm	mm	mm	mm	mm	mm	mm	mm	mm
5515	2921	2412	911	631	1893	2412	400	550	100
5850	2948	2439	918	642	1909	2439	400	550	100
6225	3033	2509	940	659	1964	2509	400	550	100
6975	3145	2623	990	675	2047	2623	400	550	100
7875	3264	2695	1012	709	2114	2695	470	660	130
8325	3340	2757	1041	724	2163	2757	470	660	130
8775	3381	2797	1052	737	2190	2797	470	660	130
9225	3453	2865	1092	756	2236	2865	470	660	130
9675	3497	2905	1109	768	2272	2905	500	700	140
10125	3552	2941	1126	780	2307	2941	500	700	140
10575	3591	2979	1142	791	2341	2979	500	700	140
11025	3658	3027	1158	802	2374	3027	540	750	150
12075	3784	3121	1174	813	2407	3121	540	750	150
12675	3829	3161	1196	826	2446	3161	540	750	150
13350	3903	3221	1214	840	2489	3221	570	800	160
14100	4010	3295	1236	855	2535	3295	570	800	160
15000	4057	3357	1262	873	2588	3357	570	800	160
16125	4170	3443	1293	894	2651	3443	625	870	175

Note: The measurements in tables may vary between different models. Sotra Anchor & Chain AS can not be hold responsible for any deviate between tables and delivered equipment.

SOTRA ANCHOR & CHAIN AS
Gamle Vindenesvegen 11
5363 Ågotnes, Norway

Tel.: (+47) 56 32 68 50
E-mail: sales@sotra.net
Web: www.sotra.net

