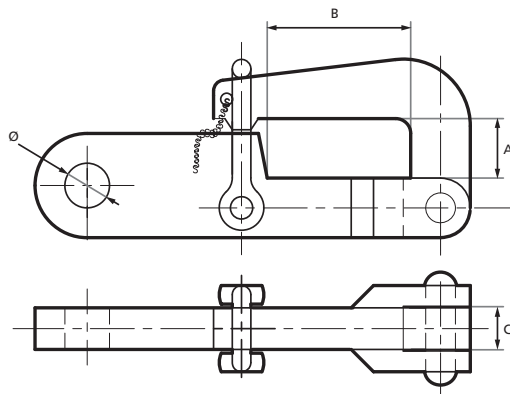




TOWING AND MOORING EQUIPMENT

PELICAN HOOK

DIA. 76–120 MM



Size	A	B	C	Ø	SWL	TL
mm	mm	mm	mm	mm	t	t
76	84	282	175	75	55	110
105	116	390	244	98	98	196
114	125	422	265	98	113	226
120	132	444	268	113	123.5	247

Note: The measurements in tables may vary between different models. Sotra Anchor & Chain AS can not be hold responsible for any deviate between tables and delivered equipment.

SOTRA ANCHOR & CHAIN AS
Gamle Vindenesvegen 11
5363 Ågotnes, Norway

Tel.: (+47) 56 32 68 50
E-mail: sales@sotra.net
Web: www.sotra.net

