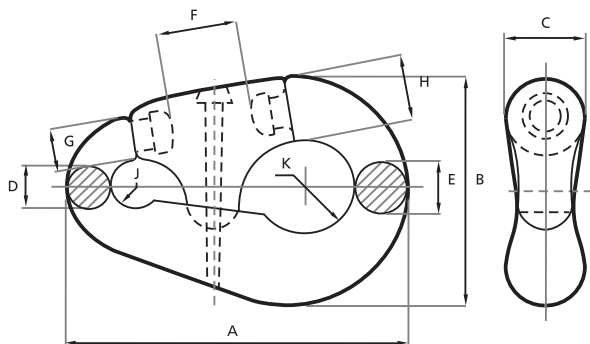




SHACKLE

PEAR SHAPED END SHACKLE

GRADE R4



Chain No	Chain dia.	A	B	C	D	E	F	G	H	J	K	Weight	Proof-load	Break-load
	mm	mm	mm	mm	mm	mm	mm	mm	mm	mm	mm	Kgs	Kgs	Kgs
4	32-40	302	206	63	41	49	83	4	58	26	43	13,0	143 882	182 427
5	42-51	381	263	77	52	68	100	58	74	32	52	27,0	228 722	290 211
6	52-60	462	315	94	62	81	113	64	90	38	65	49,0	310 911	394 324
7	62-79	568	379	121	81	97	153	84	116	48	76	95,0	518 016	657 105
8	81-92	658	422	139	96	135	155	112	135	54	79	150,0	683 108	866 555
9	94-95	700	440	148	98	130	159	124	148	57	89	236,0	723 590	917 948
10	97-102	900	580	194	122	168	194	130	181	73	108	386,0	821 381	1 041 844

Note: The measurements in tables may vary between different models. Sotra Anchor & Chain AS can not be hold responsible for any deviate between tables and delivered equipment.