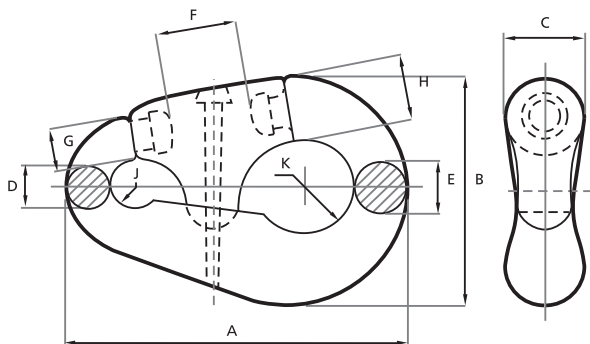




SHACKLE

PEAR SHAPED END SHACKLE

GRADE 3



Chain No	Chain dia.	A	B	C	D	E	F	G	H	J	K	Weight	Proof-load	Break-load
	mm	mm	mm	mm	mm	mm	mm	mm	mm	mm	mm	Kgs	Kgs	Kgs
2	19-24	199	136	39	26	33	58	26	39	17	30	3,6	34 000	48 500
3	25-30	245	172	47	31	40	66	37	45	19	35	6,5	53 000	75 700
4	32-40	302	206	63	41	49	83	42	58	26	43	13,0	91 367	130 524
5	42-51	381	263	77	52	68	100	58	74	32	52	27,0	145 513	207 512
6	52-60	462	315	94	62	81	113	64	90	38	65	49,0	197 825	282 461
7	62-79	568	379	121	81	97	153	84	116	48	76	95,0	329 674	469 987
8	81-92	658	422	139	96	135	155	112	135	54	79	150,0	434 399	619 987
9	94-95	700	440	148	98	130	159	124	148	57	89	236,0	459 892	656 697
10	97-102	900	580	194	122	168	194	130	181	73	108	386,0	522 095	746 432

Note: The measurements in tables may vary between different models. Sotra Anchor & Chain AS can not be hold responsible for any deviate between tables and delivered equipment.