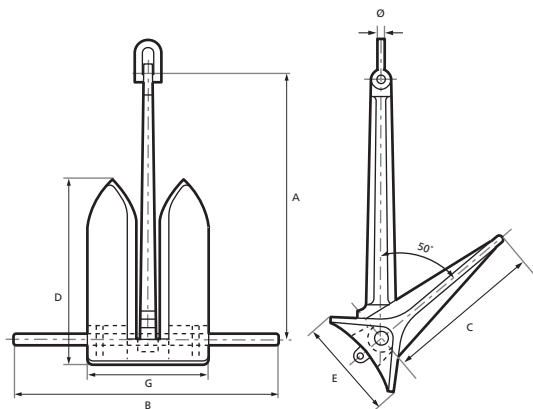




OFFSHORE ANCHOR

OFFDRILL II



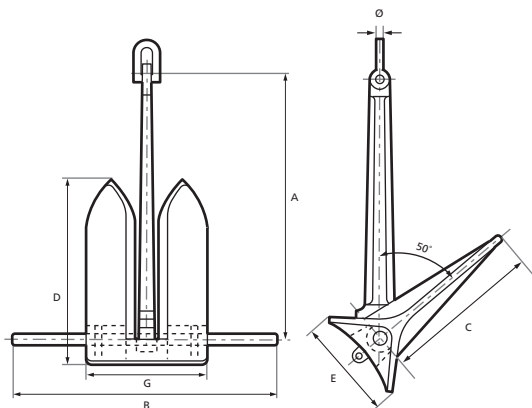
Weight	A	B	C	D	E	G	Ø
Kgs	mm	mm	mm	mm	mm	mm	mm
240	1205	1330	725	865	395	495	35
280	1520	1675	915	1090	500	625	50
660	1770	2120	1050	1250	575	740	50
900	1950	2340	1160	1380	630	815	65
11450	2100	2520	1250	1485	680	875	65
1290	2230	2655	1330	1580	725	930	75
1590	2350	2820	1400	1665	765	980	75
1740	2500	2945	1460	1740	800	1020	75
2100	2555	3065	1520	1805	830	1065	80
2280	2645	3175	1575	1870	860	1100	90
2640	2815	3375	1675	1990	910	1170	100
3300	2950	3540	1755	2090	940	1230	100
3540	3095	3890	1840	2190	1012	1290	100

Note: The measurements in tables may vary between different models. Sotra Anchor & Chain AS can not be hold responsible for any deviate between tables and delivered equipment.



OFFSHORE ANCHOR

OFFDRILL II



Weight	A	B	C	D	E	G	Ø
Kgs	mm	mm	mm	mm	mm	mm	mm
4590	3335	4000	1985	2360	1070	1390	115
5610	3540	4250	2110	2505	1140	1475	115
6450	3730	4500	2220	2640	1228	1555	130
6900	3900	4750	2220	2640	1228	1555	130
7350	3900	4750	2320	2760	1280	1625	130
9300	4200	4900	2500	2975	1385	1750	130
11100	4500	5165	2680	3205	1530	1875	130
13500	4810	5335	2860	3405	1545	2000	130
14700	4900	5390	2955	3515	1585	2070	140
17800	5120	5635	3090	3675	1692	2165	155
20000	5330	5865	3215	3850	1760	2250	155
23000	5600	6150	3360	4025	1900	2365	155
27500	5950	6535	3570	4250	1955	2515	170
29000	6260	6875	3755	4470	2055	2645	185

Note: The measurements in tables may vary between different models. Sotra Anchor & Chain AS can not be hold responsible for any deviate between tables and delivered equipment.