

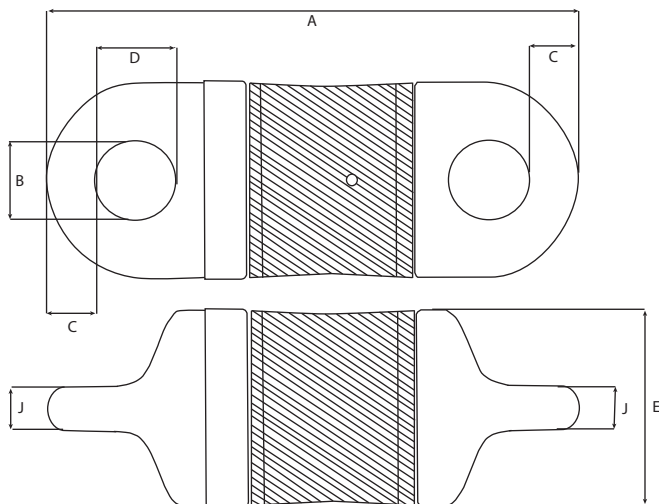


SWIVEL

NAUTILUS SWIVEL

INTERCHANGEABLE BEARINGS SLIDE, ROLLER & BALL

DIA. 70–102 MM



Size	Weight	Grade	Proof Load	Break Load	A	B	C	D	E	J
mm	Kgs		kN	kN	mm	mm	mm	mm	mm	mm
70–76	364	4	4731	6022	967	135	88	145	320	77
76–84	443	4	5682	7357,5	920	140	93	145	360	80
84–89	443	4	6602	8418	920	140	93	145	360	84
95–102	581	4	8246	10512	1056	180	110	160	400	100

Note: The measurements in tables may vary between different models. Sotra Anchor & Chain AS can not be hold responsible for any deviate between tables and delivered equipment.