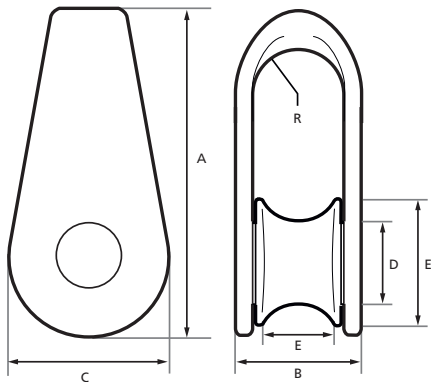




SHACKLE

M-FAIRLEAD SHACKLE

STAINLESS STEEL



Type	A	B	C	D	E	F	R	SWL
	mm	mm	mm	mm	mm	mm	mm	ton
90T	255	97	120	65	67	100	34	30
120T	310	121	130	82	90	128	45	40

Note: The measurements in tables may vary between different models. Sotra Anchor & Chain AS can not be hold responsible for any deviate between tables and delivered equipment.