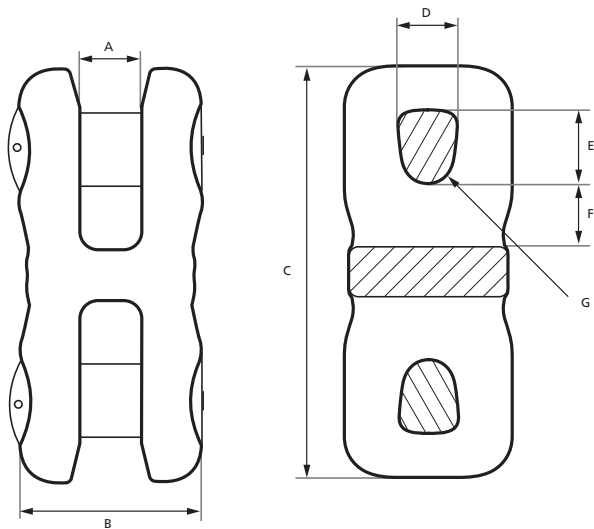




SHACKLE

H-CONNECTOR

HYBRID 76/84 MM R4



A	B	C	D	E	F	G	Weight	Proof Load	Break Load
mm	mm	mm	mm	mm	mm	mm	kg	KN	KN
97	290	658	92	118	101	R 40	208	5682	7208 R4

Note: The measurements in tables may vary between different models. Sotra Anchor & Chain AS can not be hold responsible for any deviate between tables and delivered equipment.

SOTRA ANCHOR & CHAIN AS
Gamle Vindenesvegen 11
5363 Ågotnes, Norway

Tel.: (+47) 56 32 68 50
E-mail: sales@sotra.net
Web: www.sotra.net

