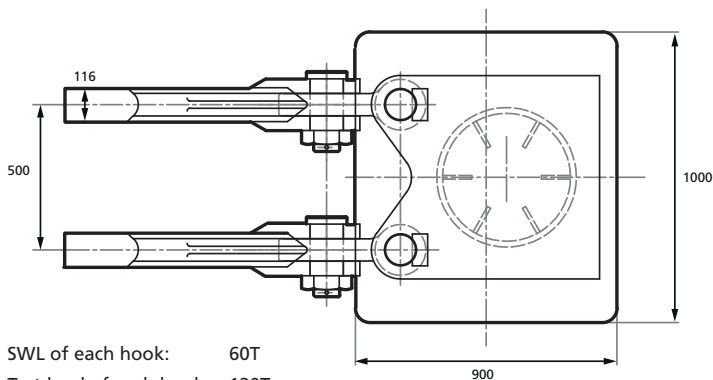
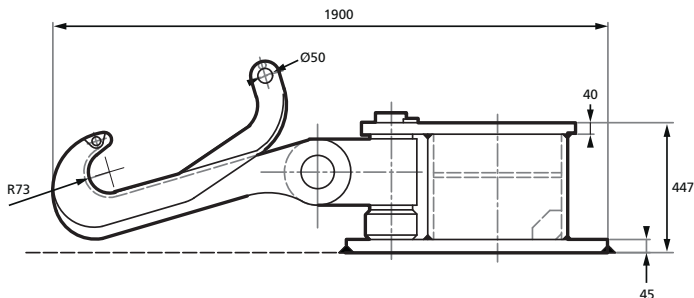




TOWING AND MOORING EQUIPMENT

# DOUBLE QUICK RELEASE HOOK WITH BASE



SWL of each hook:	60T
Test load of each hook:	120T
Capacity of base:	120T
Steel:	35CrMo + DH36

Other sizes are available on request, please contact our sales department for further information.

**Note:** The measurements in tables may vary between different models. Sotra Anchor & Chain AS can not be hold responsible for any deviate between tables and delivered equipment.