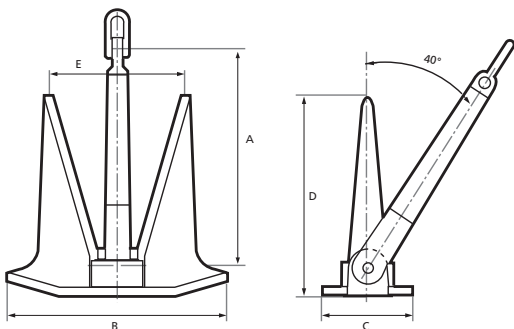




HIGH HOLDING POWER ANCHOR

D'HONE



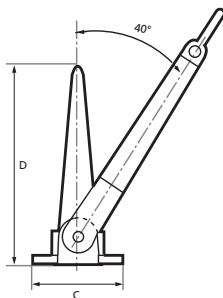
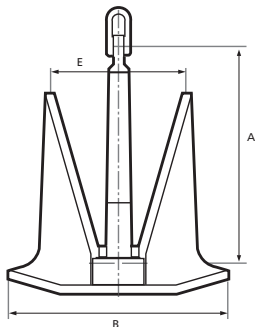
Weight	A	B	C	D	E
Kgs	mm	mm	mm	mm	mm
48	500	530	200	465	310
135	700	745	280	660	435
180	770	820	305	725	480
225	830	880	330	780	515
315	930	990	370	870	575
360	970	1030	385	910	600
430	1030	1100	410	970	640
495	1080	1150	430	1015	670
585	1140	1215	450	1070	710
675	1200	1270	475	1125	740
765	1250	1330	495	1170	775
855	1300	1380	510	1215	800
970	1350	1435	535	1270	835
1080	1400	1490	555	1315	870
1195	1450	1540	575	1360	900
1305	1495	1585	590	1400	925
1440	1540	1640	610	1445	955
1575	1590	1690	630	1490	985
1710	1630	1735	650	1530	1010
1845	1675	1780	665	1570	1040
1980	1715	1820	680	1605	1060
2140	1760	1870	700	1650	1090
2295	1800	1915	715	1690	1115

Note: The measurements in tables may vary between different models. Sotra Anchor & Chain AS can not be hold responsible for any deviate between tables and delivered equipment.



HIGH HOLDING POWER ANCHOR

D'HONE



Weight	A	B	C	D	E
Kgs	mm	mm	mm	mm	mm
2475	1845	1960	730	1730	1140
2655	1890	2010	750	1775	1170
2835	1930	2050	765	1815	1200
3240	2020	2150	800	1895	1250
3445	2060	2190	820	1935	1275
3670	2105	2240	835	1975	1300
3940	2160	2290	855	2020	1335
4210	2200	2340	870	2070	1365
4500	2260	2400	890	2115	1395
4840	2310	2450	915	2165	1230
5175	2360	2500	935	2215	1460
5515	2410	2560	955	2265	1495
5850	2460	2610	970	2305	1525
6225	2510	2670	995	2355	1555
6975	2610	2770	1030	2445	1615
7425	2665	2830	1050	2500	1650
7875	2720	2885	1075	2550	1680
8325	2770	2940	1095	2595	1715
8775	2815	2990	1115	2640	1745
9225	2865	3040	1135	2685	1770
9675	2910	3090	1150	2730	1800
10125	2955	3140	1170	2770	1830
10575	3000	3180	1185	2810	1855

Note: The measurements in tables may vary between different models. Sotra Anchor & Chain AS can not be hold responsible for any deviate between tables and delivered equipment.

SOTRA ANCHOR & CHAIN AS
 Gamle Vindenesvegen 11
 5363 Ågotnes, Norway

Tel.: (+47) 56 32 68 50
 E-mail: sales@sotra.net
 Web: www.sotra.net

