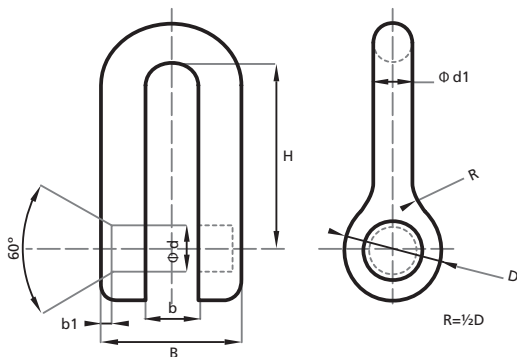




SHACKLE

CROWN SHACKLE

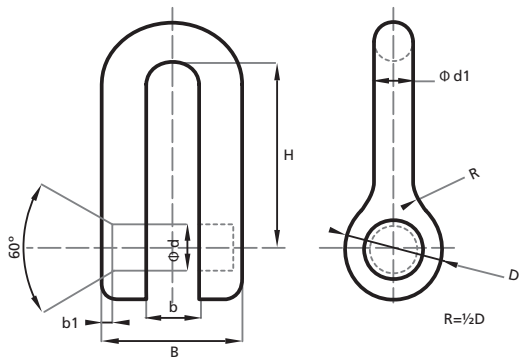


Type	B	b	b1	D	d	d1	H	Weight	Anchor weight
	mm	mm	mm	mm	mm	mm	mm	Kgs	Kgs
a1	49	21	4	35	16	14	60	0.10	15
a2	57	25	4	40	19	16	72	0.63	20
a3	70	30	5	45	22	20	84	1.01	30
a4	78	34	5	50	26	22	98	1.43	50
a5	85	37	6	60	30	24	115	2.10	100
a6	98	42	7	65	34	28	130	3.20	150
a7	110	46	8	75	36	32	145	4.50	200
a8	122	50	9	80	40	36	160	6.00	250
a9	136	56	10	90	45	40	175	8.30	360
a10	151	61	11	100	52	45	192	11.50	450
a11	163	67	12	110	55	48	215	14.70	600
a12	174	74	13	120	60	50	235	17.80	800
a13	200	80	14	135	65	60	255	26.30	1020
a14	215	91	15	155	75	62	280	35.00	1500
a15	236	100	17	174	80	68	310	46.80	2000
a16	256	108	19	190	90	74	340	60.70	2500
a17	279	115	20	210	100	82	380	80.80	3060
a18	284	120	20	210	100	82	385	82.80	3540
a19	305	125	22	230	110	90	410	106.0	4050
a20	310	130	22	230	110	90	410	109.0	4500

Note: The measurements in tables may vary between different models. Sotra Anchor & Chain AS can not be hold responsible for any deviate between tables and delivered equipment.



CROWN SHACKLE



Type	B	b	b1	D	d	d1	H	Weight	Anchor weight
	mm	mm	mm	mm	mm	mm	mm	Kgs	Kgs
a21	335	135	25	250	120	100	415	139.0	5000
a22	343	143	25	250	120	100	450	144.6	6000
a23	370	150	27	270	130	110	480	192.0	7000
a24	377	157	27	280	130	110	500	196.3	8000
a25	391	163	30	300	138	117	540	238.6	9000
a26	418	170	30	310	145	121	580	280.0	10000
a27	437	177	32	320	150	130	600	314.0	11100
a28	452	182	32	335	155	135	630	353.0	12300
a29	468	188	34	345	160	140	640	390.0	13500
a30	483	193	34	355	165	145	660	430.0	14700
a31	498	198	36	365	170	150	680	471.0	15100
a32	515	205	36	380	175	155	700	523.0	17800
a33	534	214	38	395	185	160	730	584.0	20000
a34	561	224	38	410	190	170	770	679.0	23000
a35	594	234	40	430	200	180	800	791.0	26000
a36	611	241	40	445	205	185	820	863.0	29000
a37	625	246	42	455	210	190	830	934.0	31000
a38	642	252	42	465	215	195	860	999.0	33000
a39	657	257	44	475	220	200	880	1072.0	36500
a40	674	264	44	490	225	205	910	1156.0	38500
a41	692	272	46	510	235	210	940	1279.0	42000
a42	720	280	46	520	240	220	960	1412.0	46000

Note: The measurements in tables may vary between different models. Sotra Anchor & Chain AS can not be hold responsible for any deviate between tables and delivered equipment.