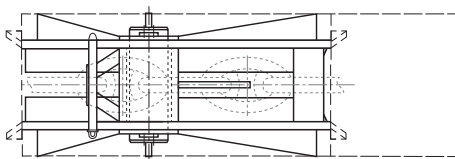
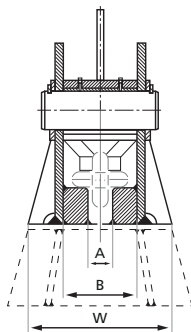
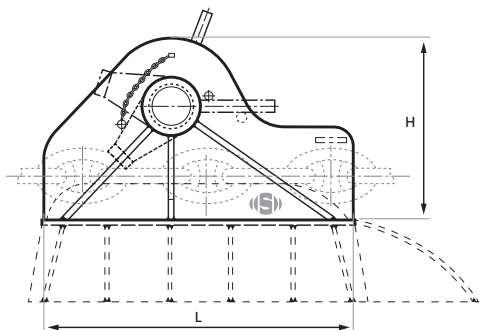




TOWING AND MOORING EQUIPMENT

BOW CHAIN STOPPER

OCIMF TONGUE TYPE



Chain dia.	L	W	H	A	B	SWL for SPM
mm	mm	mm	mm	mm	mm	tonnes
76-78	1510	696	875	123	360	350

Note: The measurements in tables may vary between different models. Sotra Anchor & Chain AS can not be hold responsible for any deviate between tables and delivered equipment.

SOTRA ANCHOR & CHAIN AS
Gamle Vindenesvegen 11
5363 Ågotnes, Norway

Tel.: (+47) 56 32 68 50
E-mail: sales@sotra.net
Web: www.sotra.net

