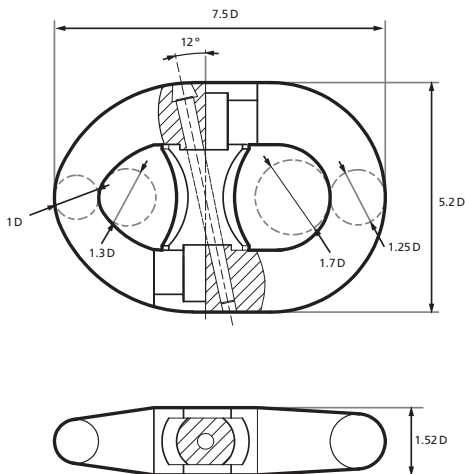




SHACKLE

ANCHOR KENTER SHACKLE

STAR



Dia.	Grade	Proof Load	Break Load
mm		kN	kN
76	R3	3417	4885
76	R4	4731	6002
84	R3	4104	5866
84	R4	5682	7208

Note: The measurements in tables may vary between different models. Sotra Anchor & Chain AS can not be hold responsible for any deviate between tables and delivered equipment.