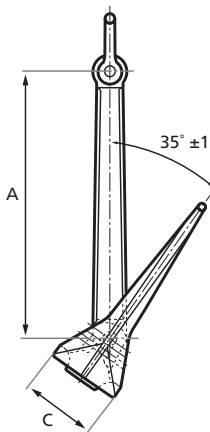
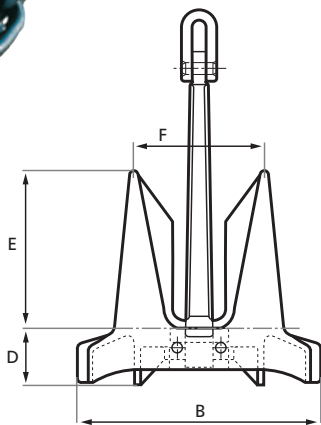




HIGH HOLDING POWER ANCHOR

# AC-14

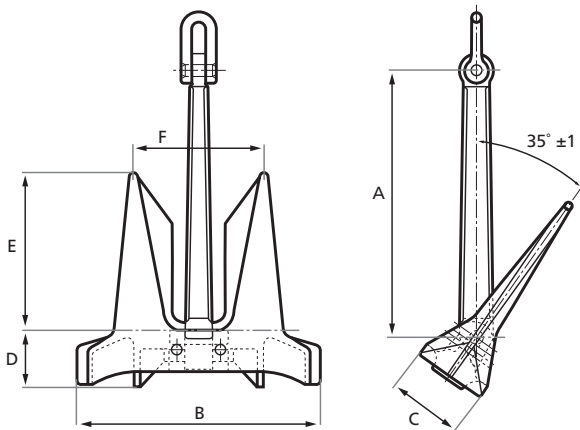


Weight	A	B	C	D	E	F
Kgs	mm	mm	mm	mm	mm	mm
30	491	440	136	85	299	236
45	590	529	164	107	359	283
75	677	605	188	122	411	324
94	718	643	199	130	437	344
112	745	666	207	135	452	357
135	821	737	228	143	500	394
180	904	811	251	157	550	434
225	974	874	270	169	593	468
270	1035	929	287	180	630	497
315	1090	978	302	189	663	524
360	1139	1022	316	198	694	547
430	1194	1071	331	206	727	574
495	1251	1122	347	216	762	602
585	1360	1221	378	236	828	654
675	1398	1254	387	242	851	672
765	1483	1304	404	264	885	698
855	1520	1363	423	267	925	729
970	1590	1425	440	275	968	764
1080	1631	1462	451	282	993	784
1195	1660	1490	465	287	1011	798
1305	1761	1580	488	305	1072	846
1440	1795	1610	497	311	1093	862

Note: The measurements in tables may vary between different models. Sotra Anchor & Chain AS can not be hold responsible for any deviate between tables and delivered equipment.



## AC-14

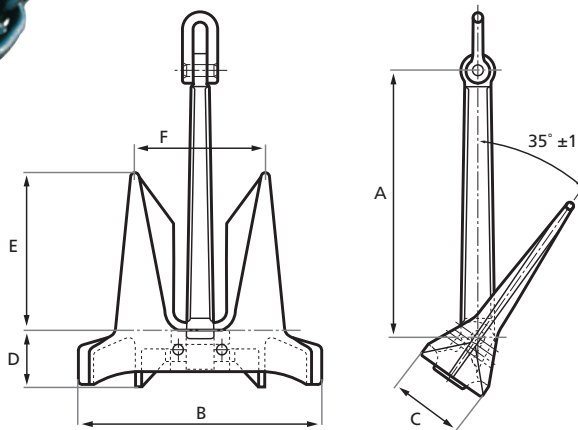


Weight	A	B	C	D	E	F
Kgs	mm	mm	mm	mm	mm	mm
1575	1855	1665	514	321	1130	892
1710	1900	1705	526	329	1157	913
1845	1940	1741	538	336	1182	933
1980	1977	1774	548	342	1203	950
2140	2016	1809	559	349	1227	969
2295	2089	1874	579	362	1272	1004
2475	2150	1929	596	373	1309	1033
2655	2201	1975	610	382	1340	1057
2835	2253	2022	624	390	1372	1083
3040	2302	2066	638	399	1402	1107
3240	2352	2110	652	407	1432	1130
3445	2400	2154	665	415	1462	1154
3670	2451	2200	680	424	1493	1178
3940	2510	2252	696	434	1529	1207
4210	2566	2303	711	444	1563	1234
4500	2624	2355	727	454	1598	1261
4840	2688	2412	745	465	1637	1292
5175	2749	2467	762	476	1674	1321
5515	2808	2520	778	486	1710	1350
5850	2864	2570	794	496	1744	1376
6225	2923	2623	810	506	1780	1405
6525	2970	2665	823	514	1808	1428

Note: The measurements in tables may vary between different models. Sotra Anchor & Chain AS can not be hold responsible for any deviate between tables and delivered equipment.



HIGH HOLDING POWER ANCHOR

**AC-14**

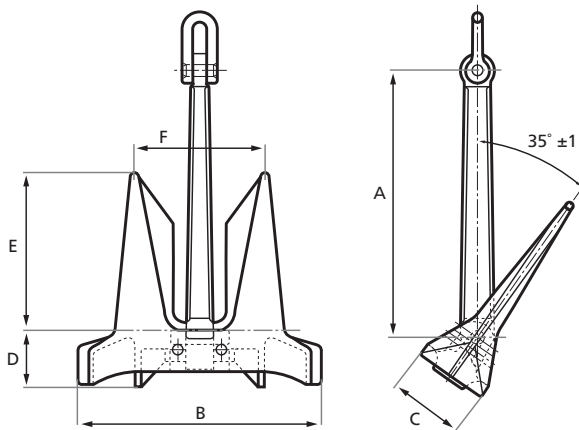
Weight	A	B	C	D	E	F
Kgs	mm	mm	mm	mm	mm	mm
6975	3042	2730	843	527	1853	1462
7425	3100	2782	859	537	1888	1490
7875	3162	2837	876	547	1925	1520
8325	3221	2890	893	558	1961	1548
8775	3278	2942	909	567	1996	1576
9225	3333	2991	924	577	2030	1602
9675	3386	3039	939	586	2062	1628
10125	3438	3085	953	595	2094	1653
10575	3488	3130	967	604	2124	1677
11025	3537	3174	981	612	2154	1700
11550	3592	3224	996	622	2188	1727
12075	3646	3272	1011	631	2220	1753
12675	3705	3325	1027	641	2256	1781
13350	3770	3383	1045	653	2296	1812
14100	3839	3445	1064	665	2338	1846
15000	3919	3517	1086	678	2387	1884
16125	4015	3603	1113	695	2445	1930
17250	4106	3685	1138	711	2501	1974
18375	4194	3763	1163	726	2554	2016
19500	4278	3839	1186	740	2605	2056
20625	4358	3911	1208	754	2654	2095
21750	4436	3981	1230	768	2702	2132

Note: The measurements in tables may vary between different models. Sotra Anchor & Chain AS can not be hold responsible for any deviate between tables and delivered equipment.



HIGH HOLDING POWER ANCHOR

AC-14



Weight	A	B	C	D	E	F
Kgs	mm	mm	mm	mm	mm	mm
23250	4536	4070	1258	785	2763	2180
24750	4632	4156	1284	801	2821	2226
26625	4746	4259	1316	821	2890	2280
28875	4876	4375	1352	844	2969	2343
31500	5020	4504	1392	868	3057	2412
34500	5174	4643	1435	895	3151	2486
36000	5248	4709	1455	908	3196	2522

Note: The measurements in tables may vary between different models. Sotra Anchor & Chain AS can not be hold responsible for any deviate between tables and delivered equipment.