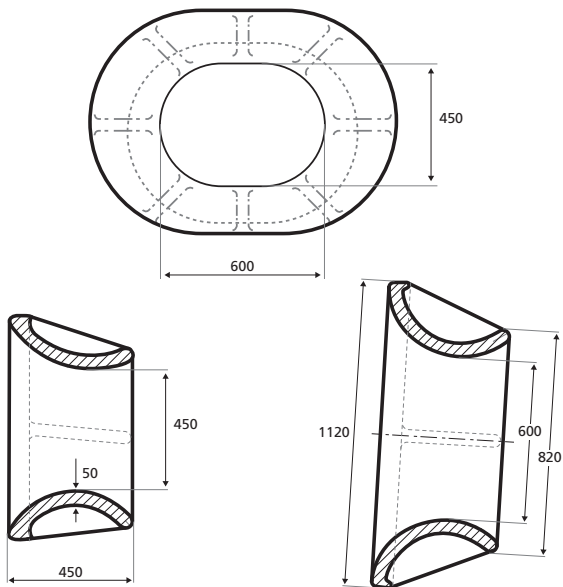




TOWING AND MOORING EQUIPMENT

OCIMF BULWARK CHOCK/FAIRLEAD

SWL 250T



Note: The measurements in tables may vary between different models. Sotra Anchor & Chain AS can not be hold responsible for any deviate between tables and delivered equipment.

SOTRA ANCHOR & CHAIN AS
Gamle Vindenesvegen 11
5363 Ågotnes, Norway

Tel.: (+47) 56 32 68 50
E-mail: sales@sotra.net
Web: www.sotra.net

 **SOTRA**
ANCHOR & CHAIN